

VLF Low Frequency Sound Source

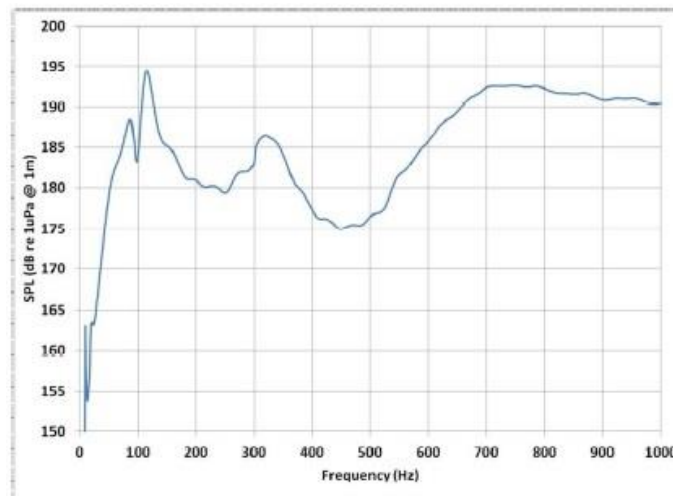
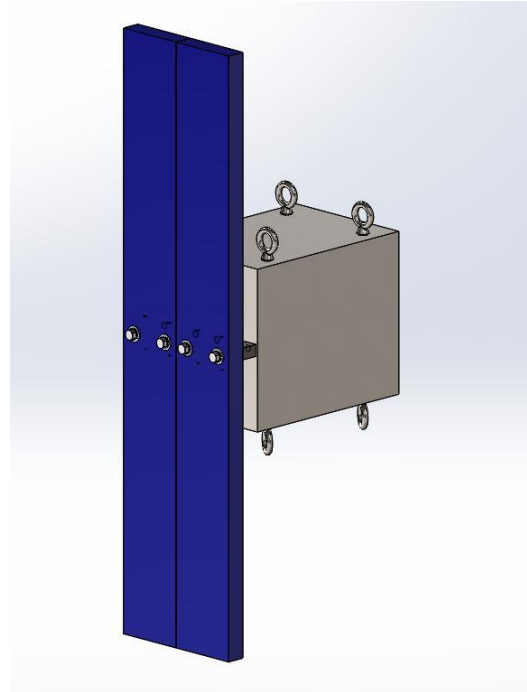
High-Power, Very Low-Frequency, Full Ocean Depth

The FSI VLF Low Frequency Sound Source is a high power underwater transducer specifically designed for tomography applications. The patented cantilevered bender design is capable of operating at full ocean depth.

The broad band frequency response bandwidth is from 10 Hz to 1,000 Hz with usable energy up to approximately 10 KHz.

The standard transducer includes two cantilevered bender staves. Power output level can be scaled by adding additional stave elements.

Contact FSI for information on available driver electronics and matching networks.

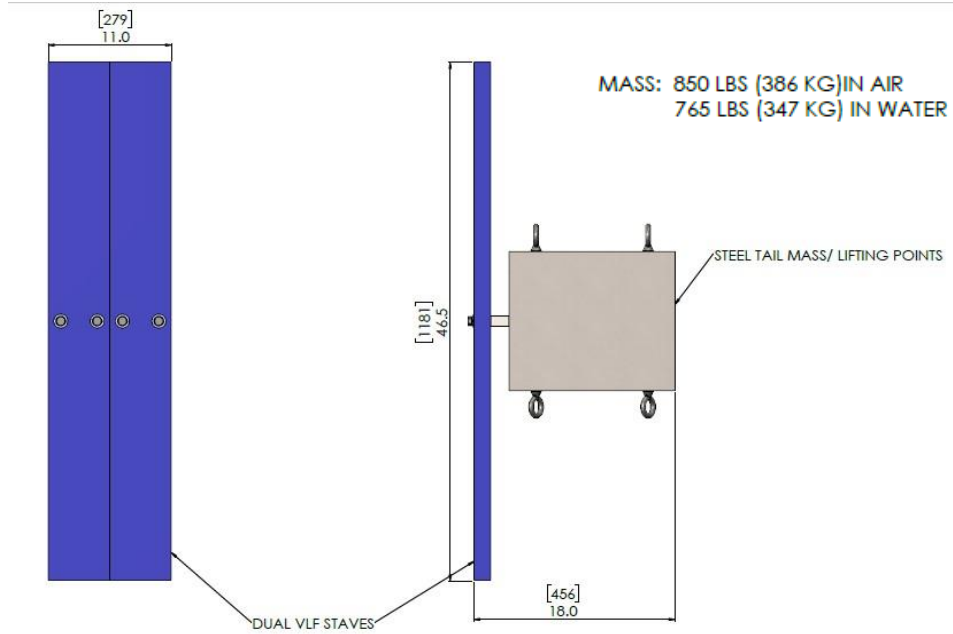


Array Sound Pressure Level (SPL) Response to 1000 Hz
Drive Level 2000 Vrms (10 V/mil)

August 2017

Specification Subject to Change Without Notice

SPECIFICATIONS



Falmouth Scientific, Inc.

1400 Route 28A, PO Box 315, Cataumet, MA 02534-0315

fsi@falmouth.com • Tel: 508-564-7640 • Fax: 508-564-7643 • www.falmouth.com