

Wave and Current Meter

Wave Direction and Height with vector-averaged 3D Current Speed and Direction in a Single Instrument

Enhanced Design, Performance, Specifications

The **ACM-Wave-PLUS** from Falmouth Scientific, Inc. provides wave direction, wave height, and other wave statistics by combining FSI's enhanced ACM-PLUS acoustic current meter technology with a high-accuracy, micro-machined silicon pressure sensor. The instrument can be deployed in a multiple-mode format to allow periodic burst sampling of wave data as well as long-term averaging.

The **ACM-Wave-PLUS** includes advanced standard features such as **extended on-board data memory, fast download capability, high accuracy real-time clock, and high speed data sampling.**

The **ACM-Wave-PLUS** comes complete with FSI's Windows-based **ACMProPLUS** software for system configuration and data download, as well as our **WavePost** software for graphics display and advanced post-processing.

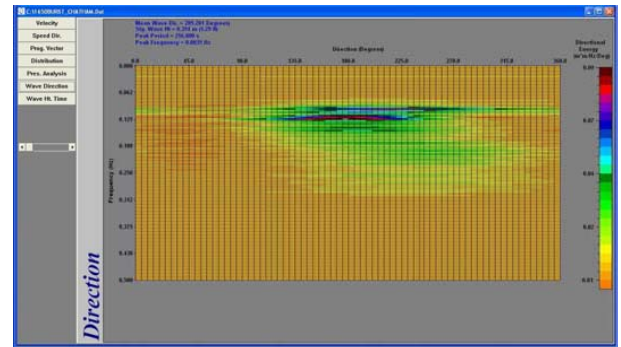
The device may also be equipped with an optional CTD module and can be configured to log up to two analog inputs from external sensors (e.g., DO, OBS, Fluorometer, Transmissometer).

FEATURES

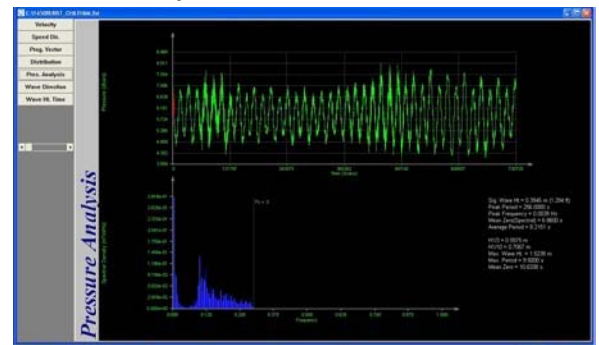
- High-accuracy wave data, precise pressure sensor
- Built-in 3-Axis ACM with excellent low-velocity resolution
- Electronic magneto-resistive compass, 2-axis tilt sensor
- **Fast Data Sampling up to 5 Hz; Fast Data Download**
- Long-term data logging to **2 GigaByte internal memory**
- Built-in **High Accuracy** real-time clock
- 1.5-ton working strength mooring frame standard; optional 5-ton mooring frame
- Optional conductivity, temperature, pressure sensor package (CTD) may be added



FSI ACM-Wave-PLUS
shown with 1.5 ton frame



Wave Directional Energy (above) and Pressure Analysis (below) are provided by FSI's WavePost Software



SPECIFICATIONS

Sensors

PRELIMINARY – SUBJECT TO CHANGE WITHOUT NOTICE

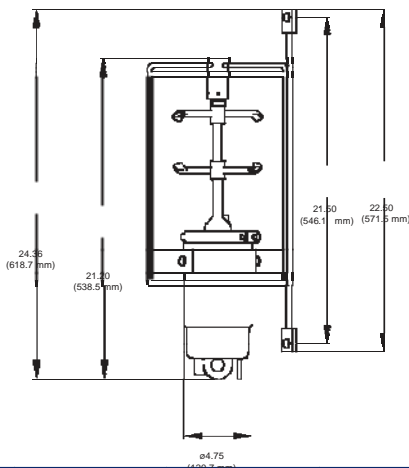
Parameter	Type	Range	Accuracy	Resolution
Pressure (Wave Height)	Silicon Micro-machined	0-50 PSIA (23m max depth)	±0.01% full scale	0.145 x10 ⁻³
Velocity	Acoustic	0 to 600 cm/s	2% of Reading or 1 cm/s	0.01 cm/s
Direction	3 Axis Magnetometer	0 to 360°	±2°	0.01°
Tilt	2 Axis Accelerometer	0 to 30°	0.5°	0.01°
Temperature	Semiconductor	-2 to 35°C	0.5°C	0.01°C

Optional CTD

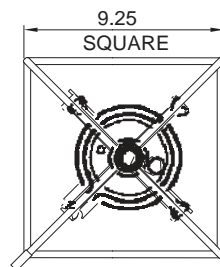
	Range	Accuracy	Resolution	Stability
Conductivity (mS/cm)	0 to 70	±0.01	.001	±0.0005 per month
Temperature (Celsius)	-5 to 32° ITS-90	±0.01°	.001°	±0.0005° per month
Pressure (dBar)	0 to 200 dBar	±0.1% full scale	0.01% full scale	±0.01% per month

Instrument

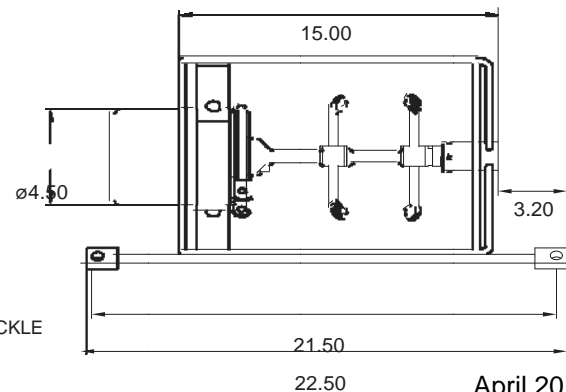
External Power:	8 to 32 VDC
Current Draw:	Typical 15 mA at 1 Hz sample rate; 150 uAmp sleep
Battery Power:	Alkaline 5 D Cell Welded Pack, 10 AHR
Internal Memory:	2.0GB Standard
Sample Rate:	5 Hz Maximum
Vector Averaging Period:	User Selectable up to 59 Min:59 Sec
Real Time Clock:	Programmable High Accuracy Sampling/Low-power Mode
Sampling Modes:	Continuous, Interval, and Delayed Start (continuous or interval)
Clock Stability:	+/- 2ppm (0-40 degrees C); +/-4ppm (-40 degrees C to +85 degrees C)
Input Channels:	Two (2) 0-5V DC Input Channels with 12 bit A/D resolution available for external sensor input, such as; Transmissometer, DO, OBS (Regulated 12 VDC 1.5W provided to power external sensors)
Depth Rating/Physical Material:	200 Meter Epoxy Housing Standard, P/N: ACM-Wave-PLUS
Mooring Frame:	1.5 Ton 316 Stainless Steel Mooring Frame (Standard, shown below) 5 Ton Stainless Steel Mooring Frame (Optional)



Specifications Subject to Change without Notice



3/8" DIA. SHACKLE



April 2013

Falmouth Scientific, Inc.

1400 Route 28A, PO Box 315, Cataumet, MA 02534-0315

fsi@falmouth.com • Tel: 1-508-564-7640 • Fax: 1-508-564-7643 • www.falmouth.com