

ELPF-553 Flash Pinger

For Asset Location and Recovery

Applications, Performance

The Falmouth Scientific ELPF-553 Flash Pinger is a small battery powered acoustic transmitter as well as an optical flashing recovery device. Multiple settings allow for selection of flashing, timing, and frequency options for use in a variety of different applications.

The design uses an ultra-low power electronics and water turn-on sense circuitry which enable long battery life.

The EPLF-553 is perfect for recovery of AUVs after mission duration has elapsed.

Specifications

Acoustic Source Level		162.5 +/- 3 dB re 1 μ Pa @ 1 meter; higher power options available	
Transmit Repetition Rate		Normal: 1.0 sec	
Acoustic Detection Range (pinger)		750 m typical	
Visible Detection Range (flasher)		2-3 nautical miles typical (night)	
Transmit Pulse Length		10 msec	
Transmit Frequency		Standard: 36 kHz, 37 kHz, 38 kHz, or 39 kHz Selectable Optional frequencies between 25 KHz and 45 KHz are available; contact FSI for details	
Activation		Water Turn On Contacts	
Current Draw, Sleep Mode		4 uA	
Current Draw, Run mode, Water detection and Flash		500 uA	
Current Draw, Run mode for Ping		13 ma for 20 msec	
Single Flash Duration		50 msec	
Operating Life	9V Alkaline	Ping	14 days at 1PPS,
		Flash	7 days at 1 flash every 5 sec, 3.5 days at 3 flashes every 5 sec
	9V Lithium	Ping	30 days at 1PPS
		Flash	14 days at 1 flash every 5 sec, 7 days at 3 flashes every 5 sec
Beam Pattern		Omni-Directional	
Operational Depth		To 150 meters ABS or 2,000 meters 6061 AL	
Housing Material		ABS Standard, 6061AL optional; O-ring sealed	



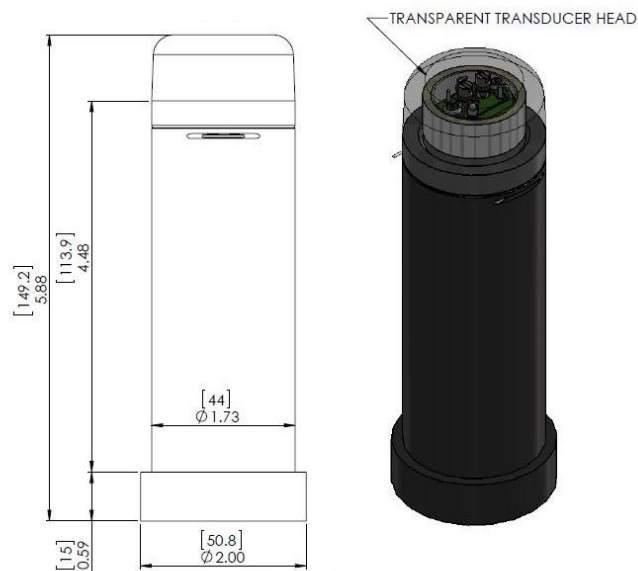
SPECIFICATIONS

SPECIFICATIONS SUBJECT TO CHANGE WITHOUT NOTICE

ELPF-553 Standard Operational Mode Switch Settings

Switch Setting	Turn-on delay (hrs.)	Flash Rate	Frequency (kHz)
0	10	1 flash every 5S	36
1	20		
2	10	3@500ms, off 3500ms	
3	20		
4	10	1 flash every 5S	37
5	20		
6	10	3@500ms, off 3500ms	
7	20		
8	10	1 flash every 5S	38
9	20		
A	10	3@500ms, off 3500ms	
B	20		
C	10	1 flash every 5S	39
D	20		
E	10	3@500ms, off 3500ms	
F	20		

Flexible Design Allows for Other Customer Specified Operating Modes Available By Request – Contact FSI for Details



ELPF-553 OUTLINE DRAWING

13 March 2015

Falmouth Scientific, Inc.

1400 Route 28A, PO Box 315, Cataumet, MA 02534-0315

fsi@falmouth.com • Tel: 1-508-564-7640 • Fax: 1-508-564-7643 • www.falmouth.com