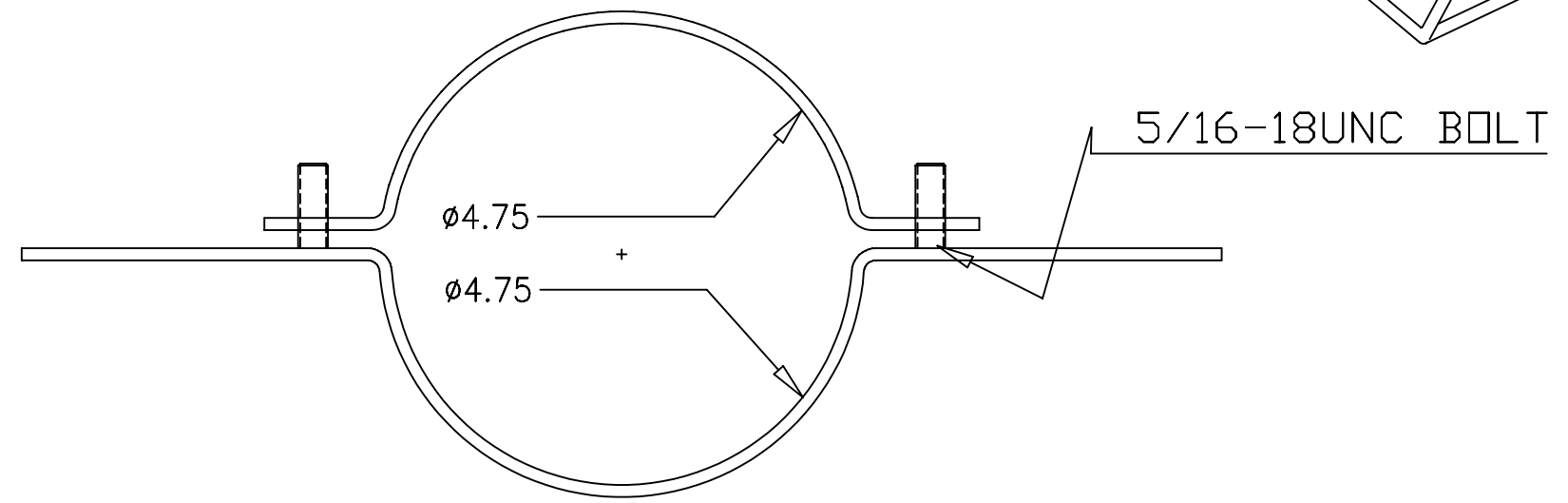
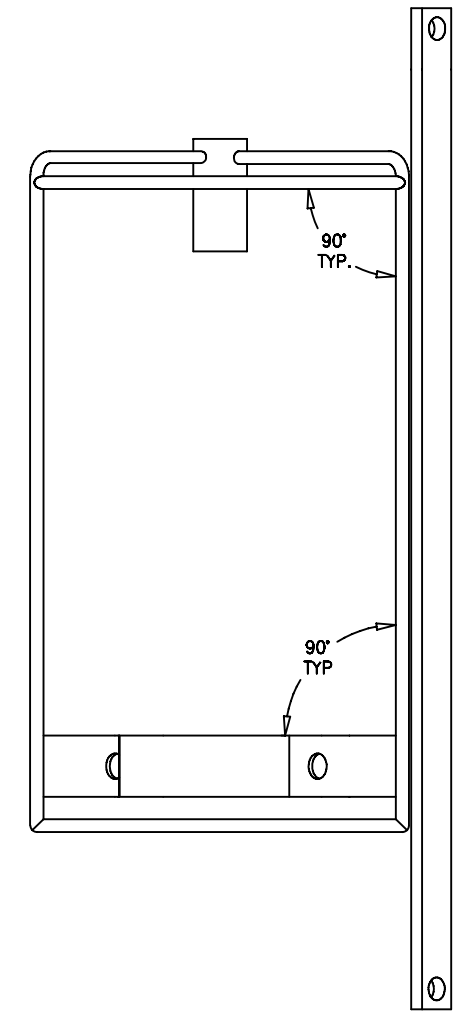
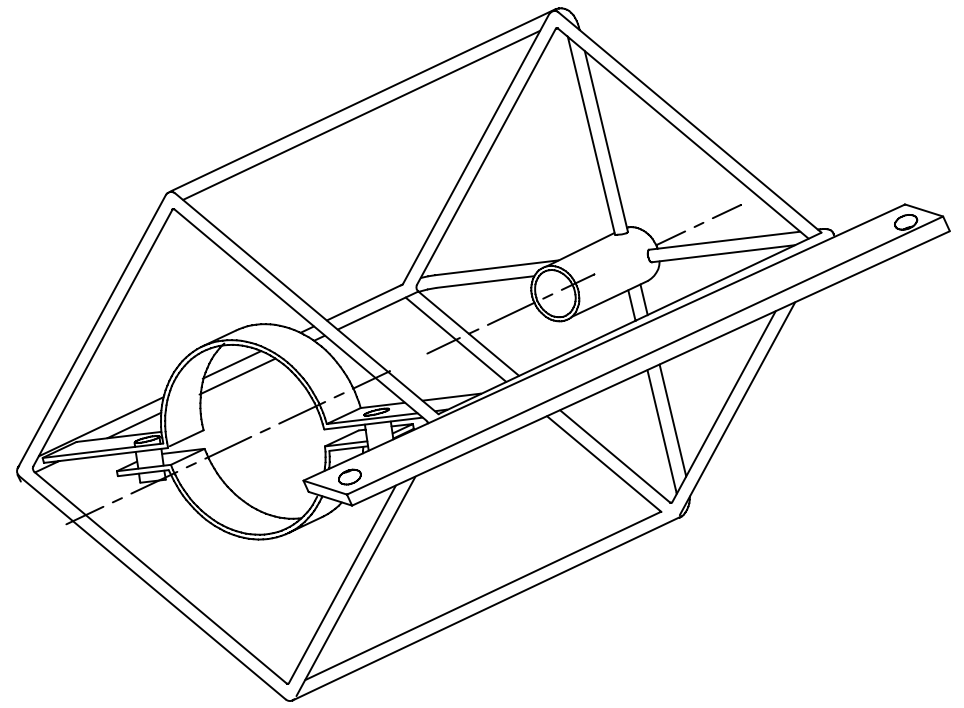
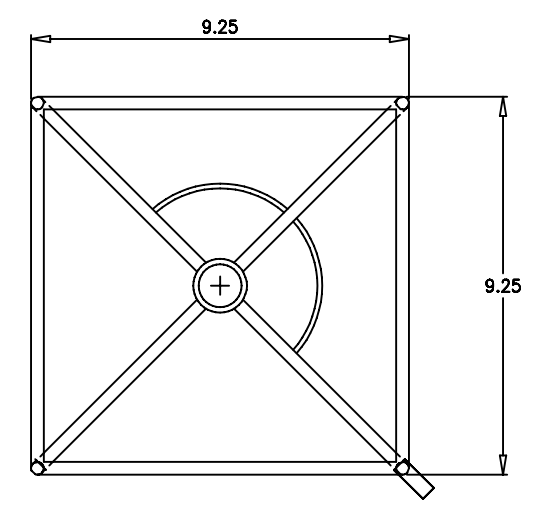
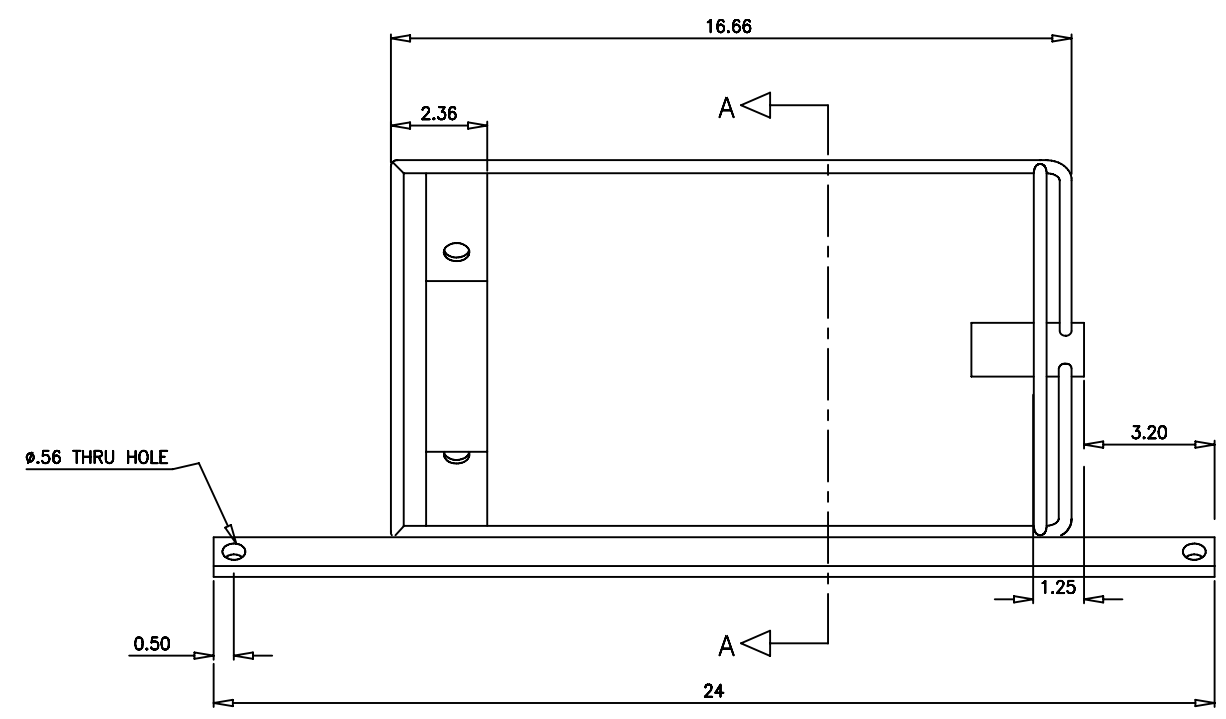
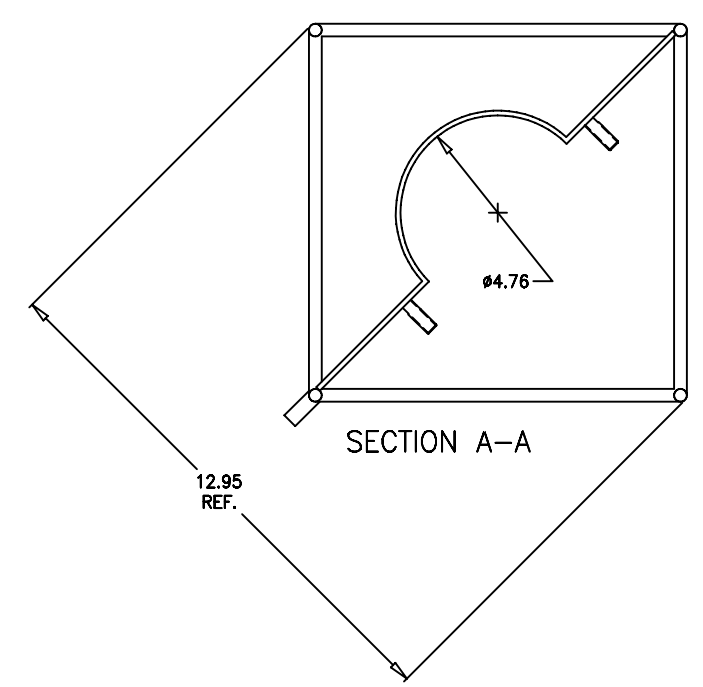


EXCEPT AS MAY BE OTHERWISE PROVIDED BY CONTRACT, THESE DRAWINGS AND SPECIFICATIONS ARE THE PROPERTY OF "FALMOUTH SCIENTIFIC INC." ARE ISSUED IN STRICT CONFIDENCE, AND SHALL NOT BE REPRODUCED, COPIED, OR USED AS THE BASIS FOR THE MANUFACTURE OR SALE OF APPARATUS WITHOUT PERMISSION.

DWG NO.		SH	REV	1
REVISIONS				
ZONE	REV	DESCRIPTION	DATE	APPROVED



MATERIAL 316 SS	UNLESS OTHERWISE NOTED: DIMENSIONS ARE IN INCHES RESISTORS ARE IN OHMS CAPACITORS ARE IN MICROFARADS	DRAWN		SIGNATURE & DATE	
		APPROVALS	R. VICKERY	021506	
FINISH NA	TOLERANCES	CHECKED			
		PRDT ENGR			
		ENGR MGR			
		PRDN MGR			
		SALES			
		PURCH			
		FILENAME:			
		REMOVE BURRS, BREAK SHARP EDGES			

FALMOUTH SCIENTIFIC INC.

TITLE
OUTLINE, 1.5 TON CAGE

CAGE **QMAN5** DRAWING NO. **D 240-496** REV

SCALE