



FSI AT- 650 Underwater Transducer

Ultra-rugged, High-Power, Low-Frequency

The FSI AT-650 is a very rugged, high power, underwater transducer specifically designed for marine sub-bottom profilers and echo-sounders. The transducer is designed to operate in the 200Hz to 2kHz frequency range. The transducer is suitable for operation in a variety of array configurations to support shallow water sub-bottom profiling applications. Single transducers can support up to 3000W power levels at a 30% duty though this will be cavitation limited depending on the depth of operation.

The FSI AT- 650 transducer is a high efficiency piston loaded flextensional design. The transducers can be arranged in multi-element arrays to support a wide variety of beam patterns and source levels to suit most survey applications.

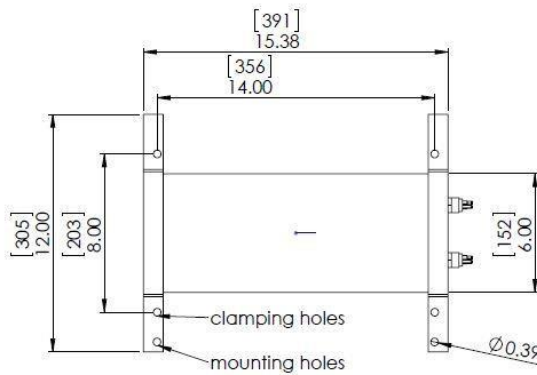
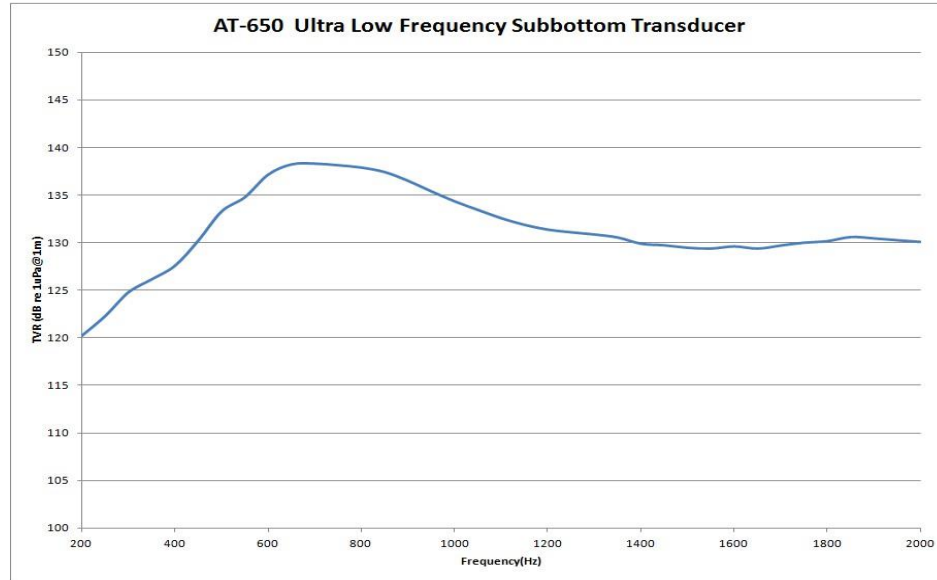


CHARACTERISTICS

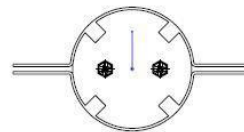
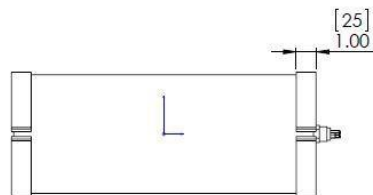
Power Rating	3000 Watts 30% duty cycle,
Transmitting Response per Volt	138 dB re 1uPa/1V@1m @650Hz
Nominal Impedance	1200 ohms @ 650Hz
Directivity	Omni
Maximum Operating Depth	300m



SPECIFICATIONS



WEIGHT IN AIR: 42 LBS. (19.1 KG)
 WEIGHT IN WATER: 28 LBS. (12.7 KG)



February 2024
 Specification Subject to Change Without Notice