

## ELPF-553 Flash Pinger

*For Asset Location and Recovery*

### Applications, Performance

The Falmouth Scientific ELPF-553 Flash Pinger is a small battery powered acoustic transmitter as well as an optical flashing recovery device. Multiple settings allow for selection of flashing, timing, and frequency options for use in a variety of different applications.

The design uses an ultra-low power electronics and water turn-on sense circuitry which enable long battery life.

The EPLF-553 is perfect for recovery of AUVs after mission duration has elapsed.

### Specifications

Acoustic Source Level		162.5 +/- 3 dB re 1 $\mu$ Pa @ 1 meter; higher power options available	
Transmit Repetition Rate		Normal: 1.0 sec	
Acoustic Detection Range (pinger)		750 m typical	
Visible Detection Range (flasher)		2-3 nautical miles typical (night); IR LEDs Optional	
Transmit Pulse Length		10 msec	
Transmit Frequency		Standard: 36 kHz, 37 kHz, 38 kHz, or 39 kHz Selectable Optional frequencies between 25 KHz and 45 KHz are available; contact FSI for details	
Activation		Water Turn On Contacts	
Operating Life	9V Alkaline	Ping	14 days at 1PPS,
		Flash	7 days at 1 flash every 5 sec, 3.5 days at 3 flashes every 5 sec
	9V Lithium	Ping	30 days at 1PPS
		Flash	14 days at 1 flash every 5 sec, 7 days at 3 flashes every 5 sec
Beam Pattern		Omni-Directional	
Operational Depth		To 150 meters ABS or 2,000 meters 6061 AL	
Housing Material		ABS Standard, 6061AL optional; O-ring sealed Other pressure ratings available	



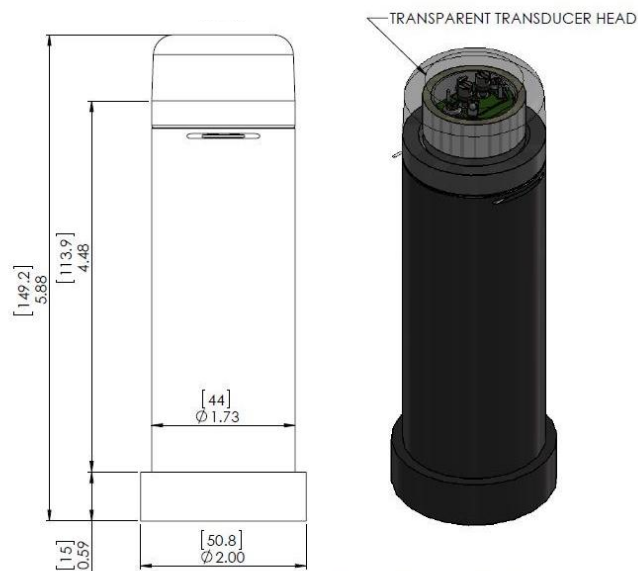
# SPECIFICATIONS

SPECIFICATIONS SUBJECT TO CHANGE WITHOUT NOTICE

## ELPF-553 Standard Operational Mode Switch Settings

Switch Setting	Turn-on delay (hrs.)	Flash Rate	Frequency (kHz)
0	10	1 flash every 5S	36
1	20		
2	10	3@500ms, off 3500ms	
3	20		
4	10	1 flash every 5S	37
5	20		
6	10	3@500ms, off 3500ms	
7	20		
8	10	1 flash every 5S	38
9	20		
A	10	3@500ms, off 3500ms	
B	20		
C	10	1 flash every 5S	39
D	20		
E	10	3@500ms, off 3500ms	
F	20		

**Flexible Design Allows for Other Customer Specified Operating Modes Available By Request – Contact FSI for Details**



**ELPF-553 OUTLINE DRAWING**

30 June 2015

**Falmouth Scientific, Inc.**

33 Jonathan Bourne Dr, PO Box 326 Pocasset, MA 02559

sales@falmouth.com • Tel: 1-508-564-7640 • Fax: 1-508-564-7643 • www.falmouth.com