



A Division of Falmouth Scientific, Inc.

# HMS-AT650 Underwater Transducer

## *Ultra-rugged, High-Power, Low-Frequency*

The HMS-650 is a very rugged, high power, underwater transducer specifically designed for marine sub-bottom profilers and echo-sounders. The transducer is designed to operate in the 200Hz to 2kHz frequency range. The transducer is suitable for operation in a variety of array configurations to support shallow water sub-bottom profiling applications. Single transducers can support up to 3000W power levels at a 30% duty though this will be cavitation limited depending on the depth of operation.

The HMS-AT650 transducer is a high efficiency piston loaded flextensional design. The transducers can be arranged in multi-element arrays to support a wide variety of beam patterns and source levels to suite most survey applications.

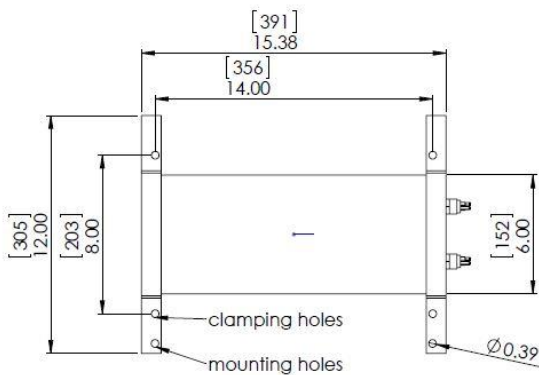
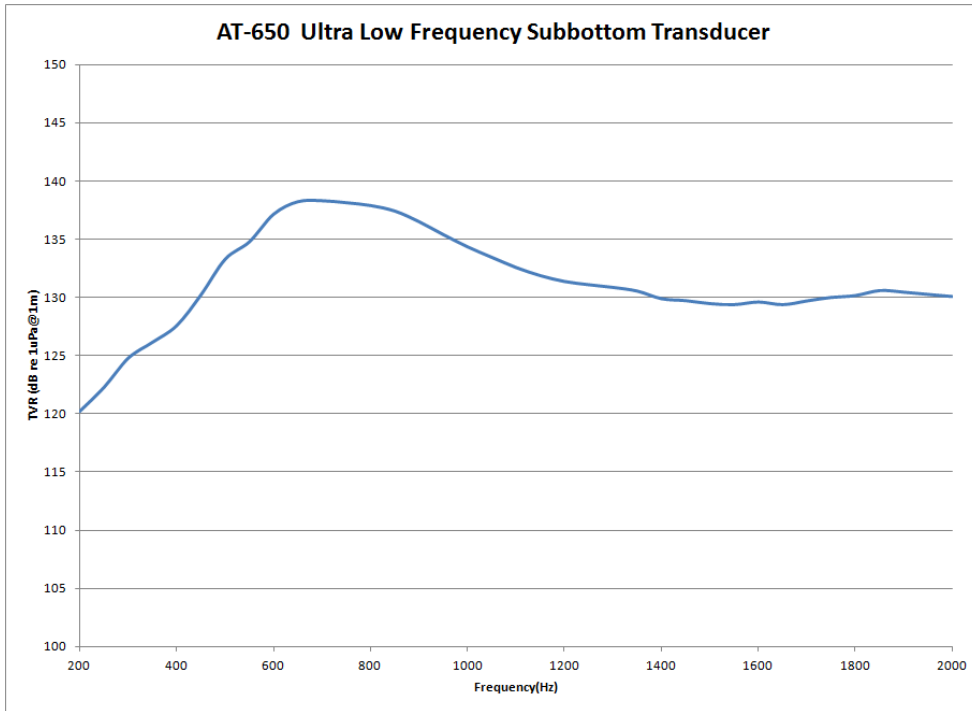


### **CHARACTERISTICS**

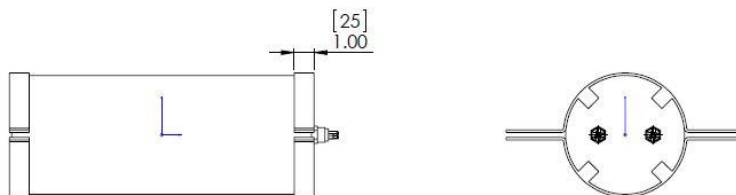
Power Rating	3000 Watts 30% duty cycle,
Transmitting Response per Volt	138 dB re 1uPa/1V@1m @650Hz
Nominal Impedance	1200 ohms @ 650Hz
Directivity	Omni
Maximum Operating Depth	300m



# SPECIFICATIONS



WEIGHT IN AIR: 42 LBS, (19.1 KG)  
 WEIGHT IN WATER: 28 LBS, (12.7 KG)



October 2014

Specification Subject to Change Without Notice

Falmouth Scientific, Inc.

1400 Route 28A, PO Box 315, Cataumet, MA 02534-0315

Email: [fsi@falmouth.com](mailto:fsi@falmouth.com) • Tel: 508-564-7640 • Fax: 508-564-7643 • [www.falmouth.com](http://www.falmouth.com)